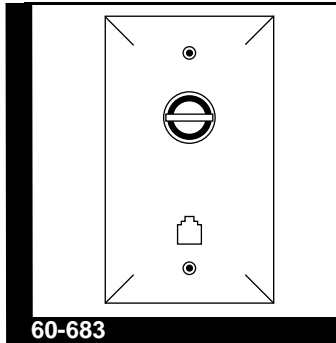


Document Number: 466-1172 Rev. A
January 1997



INSTALLATION INSTRUCTIONS

Product Summary

The Phone Jack Siren works as a standard phone jack and includes a piezo siren that produces status and alarm sounds.

The Phone Jack Siren uses existing phone wires for telephone connection and requires another pair of wires for the piezo. Piezo connections can be made with an unused pair of phone wires or a separate cable run, between the panel and the Phone Jack Siren.

Installation Guidelines

- v The piezo uses a maximum 45 mA of current at 5-14 VDC. Refer to the specific panel's installation instructions or reference manual for the maximum available panel current.
- v Install the Phone Jack Siren in place of existing phone jacks or install one in a new location, with or without the included back-box.
- v When using existing, unused phone wires for piezo connections, you must run an extra pair of wires from the TELCO block to the panel.
- v When using existing, unused phone wires for piezo connections, make sure to connect these wires together (color-to-color) at all phone jack locations to complete the circuit path.

Wiring Connections

Connecting Wires to the Phone Jack

Connect the phone wires (from the wall) to the phone jack terminals (green and red wires), as shown in Figure 1.

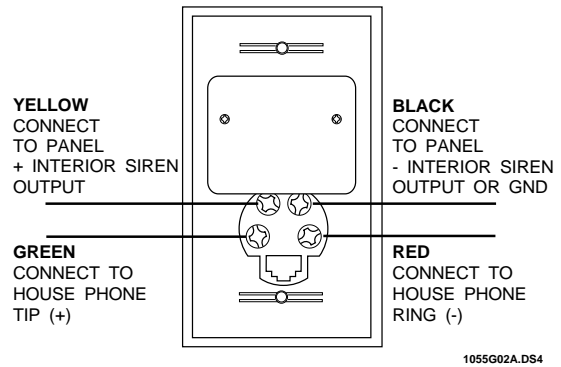


Figure 1. Connecting Phone Wires to the Phone Jack

Connecting the Piezo Siren to Panel Terminals

Table 1 describes how to connect the piezo siren (yellow and black wires) to the appropriate panel terminals.

Table 1: Piezo Wire Connections

Panel	Connections
UltraGard™ and Custom Versions	See Figures 2 and 3 on page 2.
CareTaker® Plus and Custom Versions	Piezo Yellow to 17 Piezo Black to 11
Commander® 2000 and Custom Versions	Piezo Yellow to 12 Piezo Black to 13
SX-V® and SX-V Special	Piezo Yellow to 10 Piezo Black to 13
RF Commander (6-wire harness)	Piezo Yellow to Yellow Piezo Black to Orange
CareTaker	Piezo Yellow to B7 Piezo Black to B6

Piezo Siren Connections for UltraGard and Custom Versions

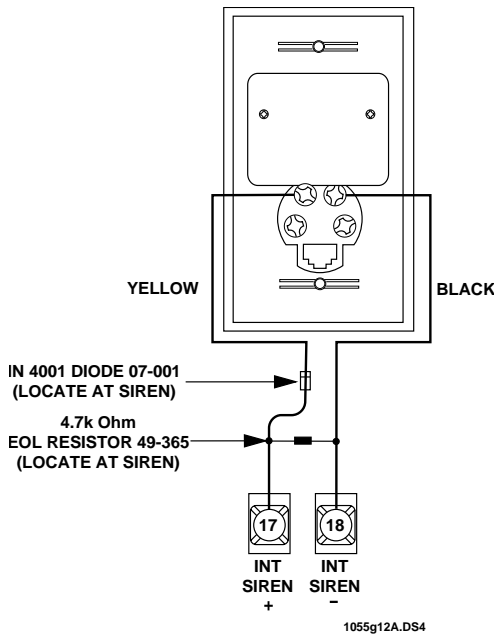


Figure 2. Single Piezo Siren Connections

Testing

Test the phone jack and piezo siren for correct operation, as described below.

Phone Testing

After installation is completed, connect a phone to the phone jack and test for correct operation. Be sure you can dial out properly.

If you still hear dial tone while dialing, this indicates you have a polarity-sensitive phone and the phone line wires on the phone jack wire terminals must be reversed. Correct and re-test phone operation.

Piezo Testing

Before testing the piezo siren, call the monitoring station (if system is monitored) and inform them that you will be testing the system and they should not dispatch authorities.

- 1) Test the piezo for status sounds by arming/disarming the system, turning chime on/off, and testing sensors.

- 2) Test the piezo for alarm sounds by activating fire, police, and auxiliary panics or sensors.

Contact the monitoring service when you are finished testing.

Specifications

Compatibility: All ITI control panels

Dimensions: Approximately 4.60" x 2.80" (LxW)

Power Requirements:

Notices

Not applicable for this device.



INTERACTIVE TECHNOLOGIES, INC.

2266 SECOND STREET NORTH
NORTH SAINT PAUL, MN 55109

T: 612/777-2690

F: 612/779-4890

WIRELESS

Security

Automation

Access Control

ITI, CareTaker, Commander, and SX-V are registered trademarks of Interactive Technologies, Inc. UltraGard is a trademark of Interactive Technologies, Inc.